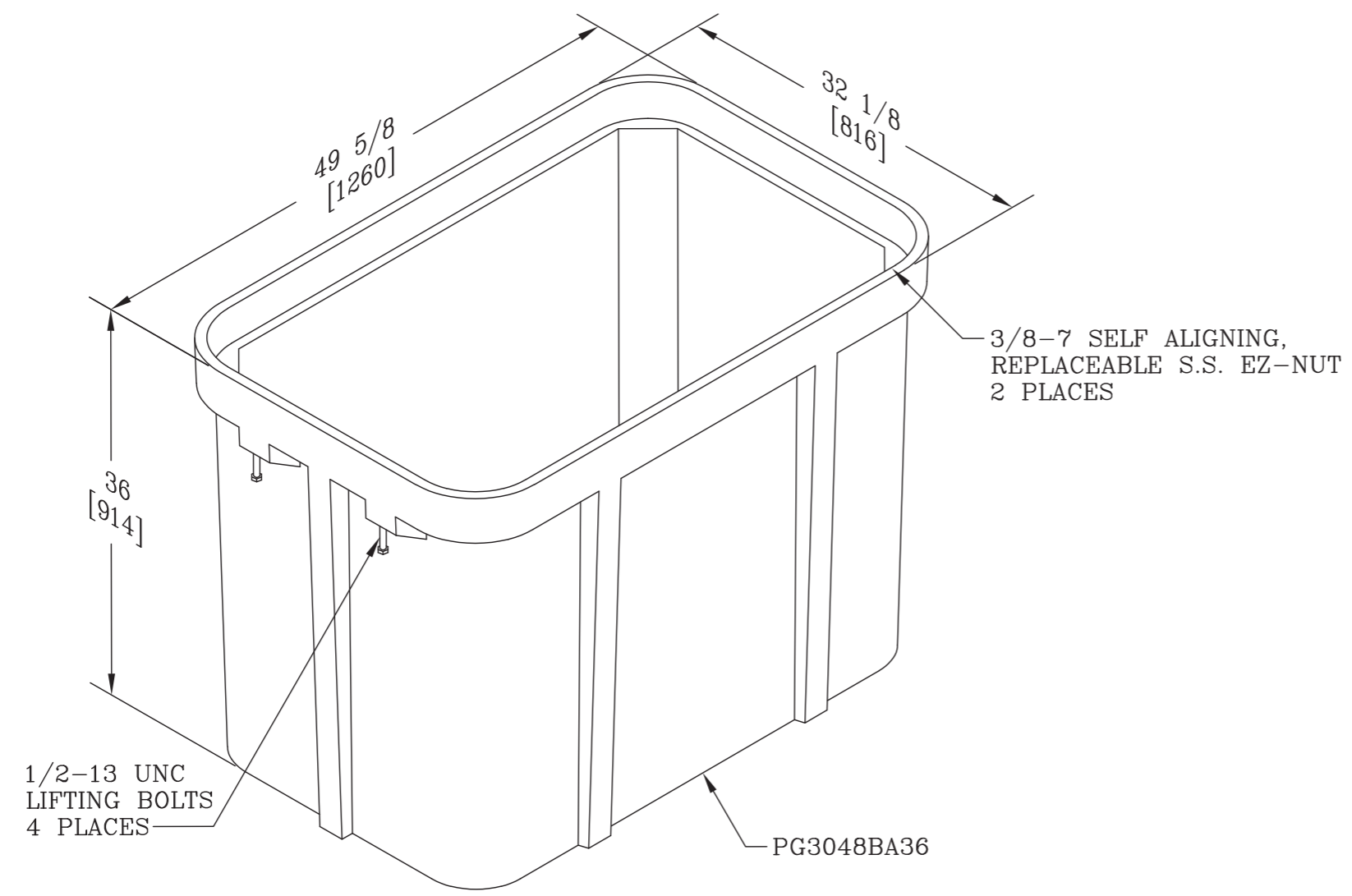


COVER DETAIL



NOTES:

1. LOGO TO BE SPECIFIED: \_\_\_\_\_.
2. THIS ASSEMBLY IS RATED FOR PEDESTRIAN TRAFFIC ONLY.
3. THE COVER FITS A CALIX ODC-100 CABINET

 **CLEARFIELD**  
**V100-304836**

PC VAULT AND LID, ODC 100 – FAC 400, 30 x 48 x 36